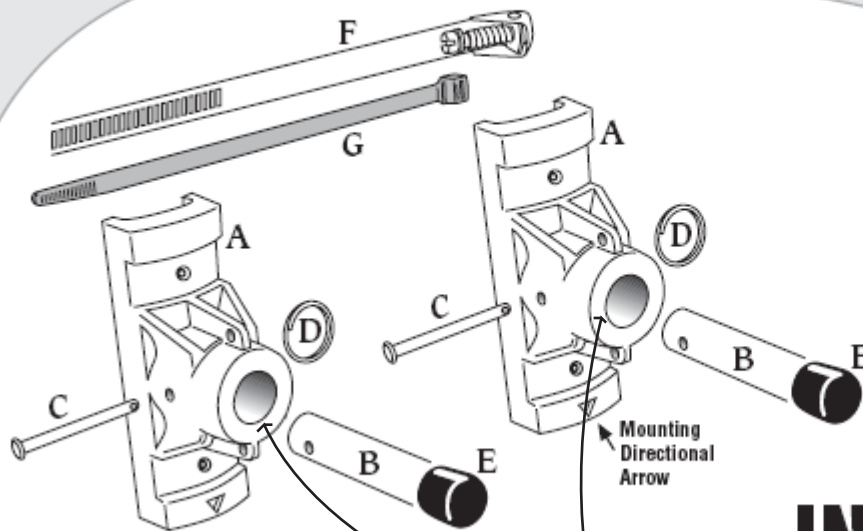


Significantly Better Products for the Sign Industry!



NEW BANNER BRACKET ASSEMBLY INSTRUCTIONS

PARTS LIST:

PARTS	QUANTITY	QUANTITY	ECONOMY
	SINGLE	DOUBLE	DOUBLE
A. BASES	2	4	2
B. POLE	2	4	2
C. CLEVIS PIN	2	4	2
D. RETAINER RING	2	4	2
E. CAPS	2	4	2
F. STAINLESS QUICK RELEASE BANDS	4	4	4
G. ZIP TIES	2	4	4

TOOLS NEEDED:

- * Flat blade screwdriver
- * Mallet or Hammer

NOTE: DO NOT USE POWER TOOLS TO TIGHTEN BANDS (F) AS THIS CAN CAUSE DAMAGE THAT WILL VOID ANY AND ALL WARRANTIES.

NOTE: If you are putting banner brackets on wood poles, the bands may slip because of expansion/contraction of wood. Therefore, you may want to drill holes in the brackets, which have starter indentions and secure with tag bolts. Do not over-tighten the bolts as this can crack a casting such as the brackets. It is a good idea to install the bands also.

IMPORTANT INFORMATION CONCERNING OUR QUICK RELEASE BANDS:
 * THE QUICK RELEASE BANDS CONTAIN CHEMICALS DETERMINED BY THE STATE OF CALIFORNIA TO CAUSE CANCER, BIRTH DEFECTS, OR OTHER REPRODUCTIVE HARM.
 * PROPOSITION 65 MANDATES THAT THE ABOVE WARNING ACCOMPANY THIS PRODUCT IF SOLD IN THE STATE OF CALIFORNIA.

NOTE: Standard quick release bands are not recommended or warranted for use on square poles that are exposed to wind or other outdoor elements.

A – Single Banner Bracket Kit

- 1.) There are two (2) bases (A). The arrow (^) is pointing up for the top one and down for the bottom. Insert poles (B) into bases (A) and align the hole in the pole with hole in base. Suggestion: adding silicon or epoxy to the bracket hole helps reduce pole chatter and premature failure of the banner poles.
- 2.) Insert clevis pin (C) thru holes and tap with hammer if necessary.
- 3.) Thread retainer ring (D) thru hole in end of (C).
- 4.) Put black rubber caps (E) over the end of poles.
- 5.) Locate top bracket to desired height on pole with arrow on bracket pointing up. Secure bracket to pole with two (2) stainless bands (F).
- 6.) Repeat step (5) with bottom bracket "arrow" on bracket points down insuring proper tension.
- 7.) Slide banner pockets over poles and retain banner with zip ties (G) thru retainer ring (D) and grommet on banner.
- 8.) Adjust bottom to bring banner taut.

B – Back to Back Banner Brackets

Same as instructions for single except use two (2) bracket bases (A) top and bottom on opposite sides of pole. Secure two (2) opposing bases (A) with two (2) stainless clamps (F). It may be helpful to install banner poles and hardware after mounting bases. Extra quick release bands can be used to double strap the brackets for extra protection and strength.

ALL PRODUCTS ARE WARRANTED AGAINST MANUFACTURING DEFECTS ONLY.