

Significantly Better Products for the Sign Industry!

Toll-free: 888-609-3779

Phone: 352-680-3555

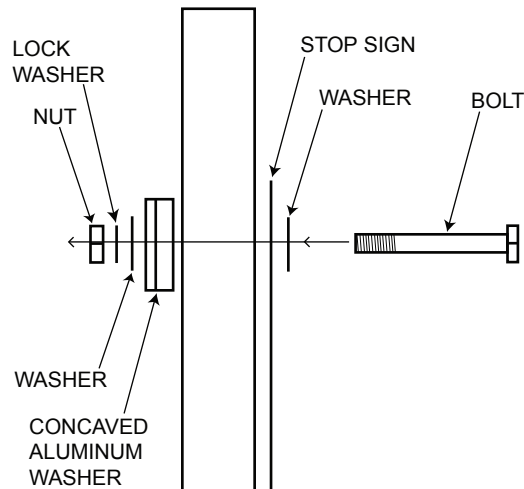
Toll-free Fax: 888-242-0652

Fax: 352-680-3559

www.metalcraftindustries.net

120 Cypress Road
Ocala, FL 34472

**Metalcraft
Industries, Inc.**
Significantly Better



ALWAYS TIGHTEN FROM NUT SIDE

TOOLS NEEDED:

- 1) 3/16" ALLEN WRENCH
 - 2) 1/2" SOCKET WRENCHES
- 3/8" DRILL BITS ARE USED
FOR DRILLING HOLES IN POLE

**ALL OF THE HARDWARE ITEMS BELOW ARE 18-8
STAINLESS STEEL WITH A BLACK OXIDE CO**

- WMSS5/16BO - LOCK WASHER
- WFLSS5/16BO - FLAT WASHER
- NFISS5/16CBO - NUT
- HHCSS5/16CX5.000BO - BOLT
- HHCSS5/16CX4.250BO - BOLT