

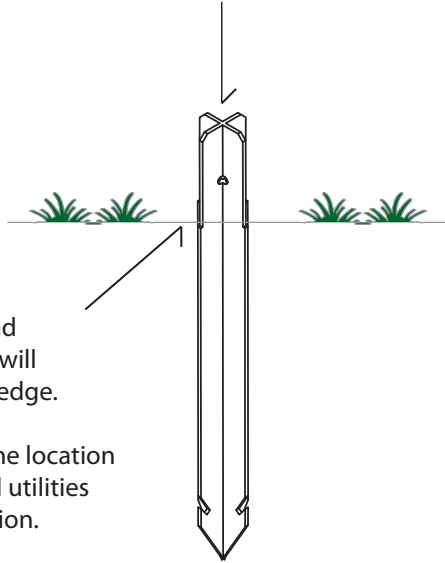
Universal Instructions for Installation of Star Stake Sign Kits

1.

An angled opening of the star stake's "X" should point in the direction that you wish your sign bracket to point.

Using a block of wood to protect the stake top, drive the star stake into the ground until the notched section of the stake is flush with the ground. Use a level to check that your stake is perpendicular to the ground as you drive it in. The pole will rest on the exposed notch edge.

Be certain that you know the location of underground wiring and utilities before attempting installation.



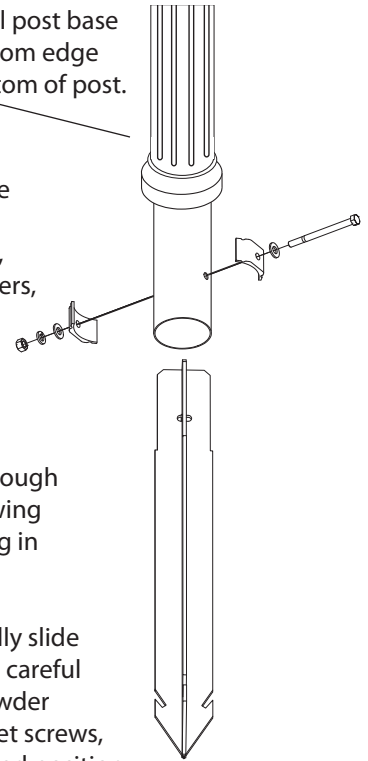
2.

Temporarily install post base with the base's bottom edge about 12" from bottom of post.

Slide post over the star stake until it rests on the stake's notched edge. Using a bolt, 2 washers, 2 extruded washers, a lock washer and nut, attach the post to the star stake, through the central mounting hole.

The bolt can be inserted through either side of the post, allowing for ease of access if installing in tightly landscaped areas.

Loosen the base and carefully slide it down into position, being careful not to scratch the post's powder coated finish. Tighten the set screws, once the base is in the desired position.



3.

Install finial onto top of post and tighten the set screws to hold it in position.

4.

Using two bolts, 4 washers, 2 extruded washers, 2 lock washers and 2 nuts, install the bracket onto the post. (Bolts may be installed from either side, however, installation from post toward the bracket will give a smoother appearance.) Tighten nuts onto bolts snugly.

Your Star Stake Kit is now ready for installation of your sign. We highly recommend use of lightweight signs to prevent tipping of the post over time.

